



SERIES 2061

Flow sensors
for water volumes up to 15 l/min



▶ PAGE
235 – 236

SERIES 2066

Analogue pressure sensors
for water and air pressure measurement up to 10 bar



▶ PAGE
237 – 239



SERIES 2061 - FLOW SENSORS

FOR WATER VOLUMES UP TO 15 L/MIN



PRODUCT FEATURES

- Robust flywheel flow meter for water with electrical pulse output
- Wide measuring range with 2 - 15 l/min
- Scanning by magnetic field sensor
- Enables hot/cold, water and energy saving as well as quality improvement
- Excellent linearity
- EMC protected

ON REQUEST

- Hall or reed contact
- Optimized measuring ranges for different application areas
- Optional: different pulse/liter ratios
- Increased life endurance
- Spray water protection for electronics

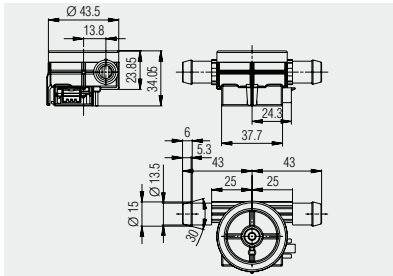

Medium	water
Measuring range	2 ... 15 l/min
Life endurance	200 m ³
Bursting pressure	8 bar
Accuracy / tolerance	2 ... 4 l/min ± 5%, 4 - 15 l/min ±3%
Material housing	POM
Ambient temperature	+5 °C ... +70 °C
Sensor description	pressure drop at 10 l/min: < 0.4 bar
Power supply	3.8 ... 24 V DC (for Hall sensors variants)
Output current	0 ... 20 mA
Output signal	200 ± 3% pulses / liter
Pulse	min. pulse width 1 ms break ratio (Hall sensor) symmetrical
Approval marks	




SERIES 2061 - FLOW SENSORS

FOR WATER VOLUMES UP TO 15 L/MIN

	Power supply	Terminal type	Terminal description	Miscellaneous	Stock version
2061.1201	12 V DC		SNAP 2.5 hose nozzle	customer-specific	
2061.1202	12 V DC		RAST 2.5 hose nozzle		



Basic type 2061

 Snap fastening SNAP 2.5 hose nozzle

ROCKER SWITCHES

PUSHBUTTON SWITCHES

TOGGLE SWITCHES

SLIDE SWITCHES

ROTARY SWITCHES

FOOT SWITCHES

TACT AND KEY SWITCHES

SNAP-ACTION SWITCHES

MICRO-SIGNAL SWITCHES

SENSORS

ECO

PUSH/DRIVE



SERIES 2066 - ANALOGUE PRESSURE SENSORS

FOR WATER AND AIR PRESSURE MEASUREMENT UP TO 10 BAR



PRODUCT FEATURES

- Magnetic pressure sensor with analogue output
- Long life endurance
- Robust and simple structure
- Linear measuring range
- Fully automatic 100 % test and adjustment
- Versions can be used for drinking water

ON REQUEST


- Different measuring ranges
- Adaptation of the output voltage
- Supply voltage variants
- Integrated digital switching output
- Other electrical / mechanical adaptation

Medium	heating water air water
Measuring range	0-4.5 bar / 0-65 psi / 0-450 kPa 0-10 bar / 0-145 psi / 0-1 MPa
Bursting pressure	> 9 bar / 130 psi / 0.9 MPa > 42 bar / 609 psi / 4.2 MPa (10 bar version)
Medium	+2 °C ... +90 °C
Storage	-40 °C ... +90 °C
Ambient temperature	-10 °C ... +70 °C
Sensor description	maximum current consumption < 14 mA (12 mA typ.)



SERIES 2066 - ANALOGUE PRESSURE SENSORS

FOR WATER AND AIR PRESSURE MEASUREMENT UP TO 10 BAR

	Power supply	Terminal description	Measuring range	Output signal	Miscellaneous	Stock version
Pressure sensor						
2066.2102	5 V DC (ratiometric)	4-pole with plug SNAP 2.5	0-4.5 bar / 0-65 psi / 0-450 kPa	proportional: 1.125 V at 0 bar, 3.6 V at 4.5 bar	plugging flange	
2066.2103	5 V DC (ratiometric)	4-pole with plug SNAP 2.5	0-4.5 bar / 0-65 psi / 0-450 kPa	proportional: 1.125 V at 0 bar, 3.6 V at 4.5 bar	thread flange / external thread G 3/8	
2066.2104	5 V DC (ratiometric)	4-pole with plug SNAP 2.5	0-4.5 bar / 0-65 psi / 0-450 kPa	proportional: 0.5 V at 0 bar, 2.7 V at 4.5 bar	plugging flange	
2066.2105	5 V DC (ratiometric)	4-pole with plug SNAP 2.5	0-4.5 bar / 0-65 psi / 0-450 kPa	proportional: 0.5 V at 0 bar, 2.7 V at 4.5 bar	thread flange / external thread G 3/8	
2066.2106	6 - 30 V DC	3-pole with plug SNAP 2.5	0-4.5 bar / 0-65 psi / 0-450 kPa	proportional: 0.5 V at 0 bar, 3.8 V at 4.5 bar	controlled voltage supply plugging flange	
2066.2107	6 - 30 V DC	3-pole with plug SNAP 2.5	0-4.5 bar / 0-65 psi / 0-450 kPa	proportional: 0.5 V at 0 bar, 3.8 V at 4.5 bar	controlled voltage supply thread flange / external thread G 3/8	
2066.2112	5 V DC (ratiometric)	4-pole with plug SNAP 2.5	0-4.5 bar / 0-65 psi / 0-450 kPa	proportional: 1.125 V at 0 bar, 3.6 V at 4.5 bar	plugging flange	
2066.3101	5 V DC (ratiometric)	3-pole with plug SNAP 2.5	0-10 bar / 0-145 psi / 0-1 MPa	proportional: 0.5 V at 0 bar, 3.5 V at 10 bar	thread flange / external thread G 3/8	
2066.3102	5 V DC (ratiometric)	3-pole with plug SNAP 2.5	0-10 bar / 0-145 psi / 0-1 MPa	proportional: 0.5 V at 0 bar, 3.5 V at 10 bar	plugging flange	

Further information under

WWW.MARQUARDT-SWITCHES.COM

ROCKER SWITCHES

PUSHBUTTON SWITCHES

TOGGLE SWITCHES

SLIDE SWITCHES

ROTARY SWITCHES

FOOT SWITCHES

TACT AND KEY SWITCHES

SNAP-ACTION SWITCHES

MICRO-SIGNAL SWITCHES

SENSORS

ECO

PUSH/DRIVE

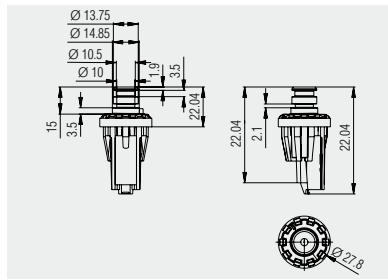


SERIES 2066 - ANALOGUE PRESSURE SENSORS

FOR WATER AND AIR PRESSURE MEASUREMENT UP TO 10 BAR



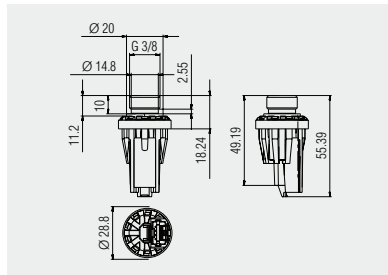
Basic type 2066 (plugging flange)
4.5 bar version



☐ Snap fastening 4-pole with
plug SNAP 2.5



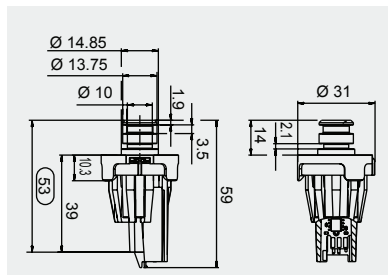
Basic type 2066 (thread flange)
4.5 bar version



☐ Snap fastening 4-pole with
plug SNAP 2.5



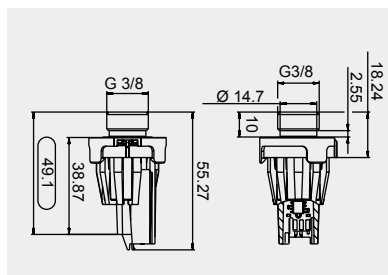
Basic type 2066 (plugging flange)
10 bar version



☐ Snap fastening 3-pole with
plug SNAP 2.5



Basic type 2066 (thread flange)
10 bar version



☐ Snap fastening 3-pole with
plug SNAP 2.5

ROCKER SWITCHES

PUSHBUTTON SWITCHES

TOGGLE SWITCHES

SLIDE SWITCHES

ROTARY SWITCHES

FOOT SWITCHES

TACT AND KEY SWITCHES

SNAP-ACTION SWITCHES

MICRO-SIGNAL SWITCHES

SENSORS

ECO

PUSH IN DRIVE