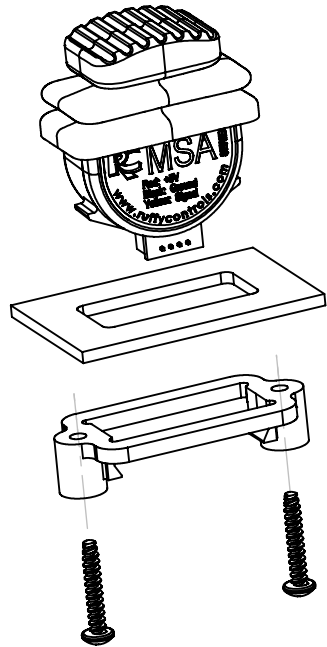


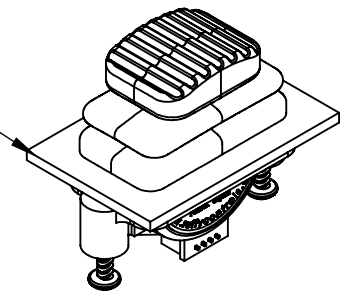
MSA SERIES: PRODUCT & MOUNTING PANEL DIMENSIONS



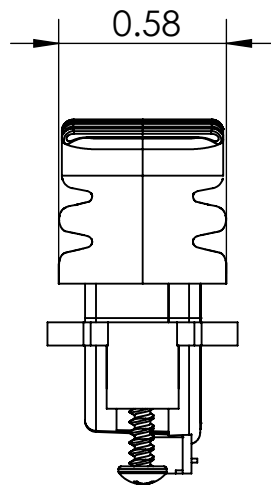
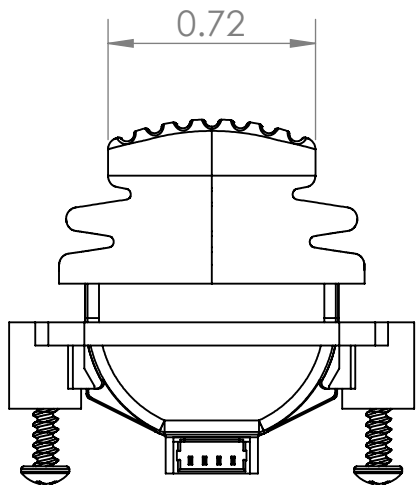
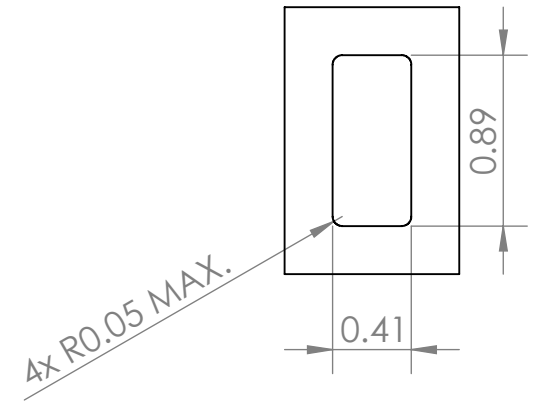
MOUNTING DIRECTIONS:

1. DROP UNIT INTO PANEL CUTOUT.
2. INSTALL SUPPLIED MOUNTING CLIP UNDER PANEL UNTIL THE TWO HOOK FEATURES SNAP INTO PLACE.
3. INSTALL 2 MOUNTING SCREWS UNTIL THEY APPLY ADEQUATE PRESSURE ONTO PANEL.

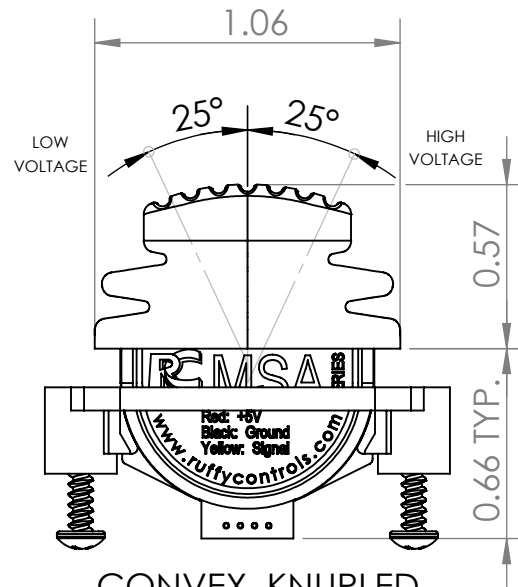
PANEL THICKNESS:
UP TO 0.125"



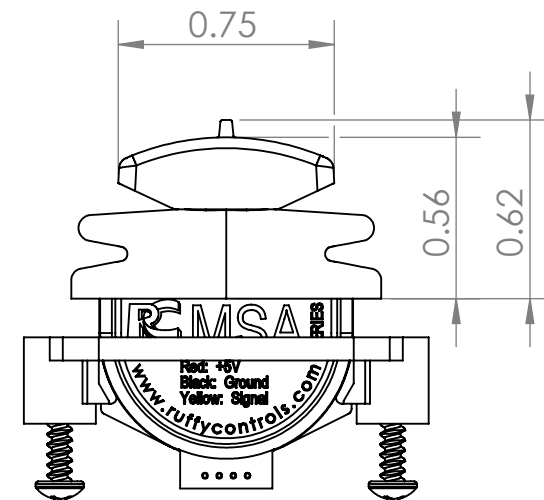
PANEL CUTOUT DIMENSIONS



SCALE 3:2



CONVEX, KNURLED
ELASTOMER ACTUATOR



CONVEX, PLASTIC
ACTUATOR w/ CENTER TAB